

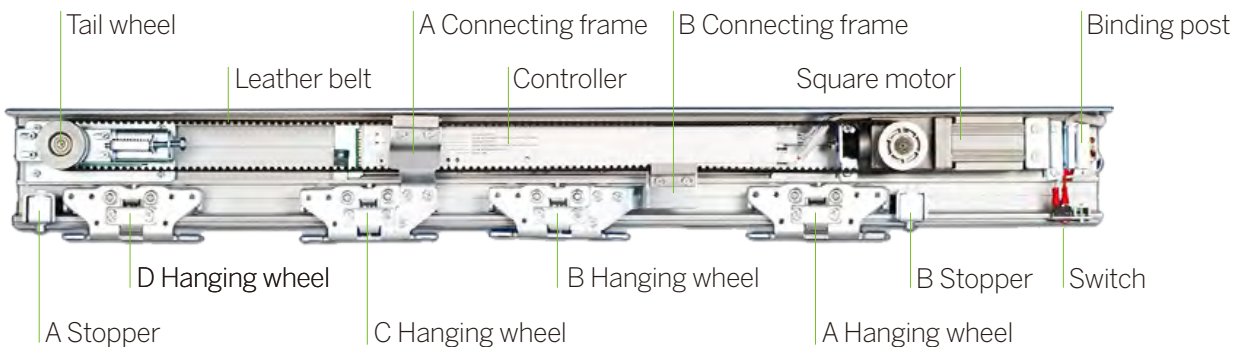


SM150

Automatic Sliding Door Operator

Specifications

Door-leaf Type	Single-leaf	Double-leaf
Door-leaf Weight	Max.150Kg	Max.150Kg *2
Door-leaf Width	DW=750-1600mm	DW=650-1250mm
Total Width	W=1500-3200mm	W=2600-5000mm
Mounting Type	Surface Mounting	
Power	AC90~240V, 50HZ	
Opening Speed	15~46cm/s (adjustable)	
Closing Speed	13~46cm/s (adjustable)	
Hold-Open Time	0~8S (adjustable)	
Manual Push Force	<40N	<50N
Motor	DC24V Brushless Servo Motor	
Ambient Temperature	-20°C~50°C	
Weight	10.58kg	



Accessories



Controller



Square motor



4pcs Hanging wheel



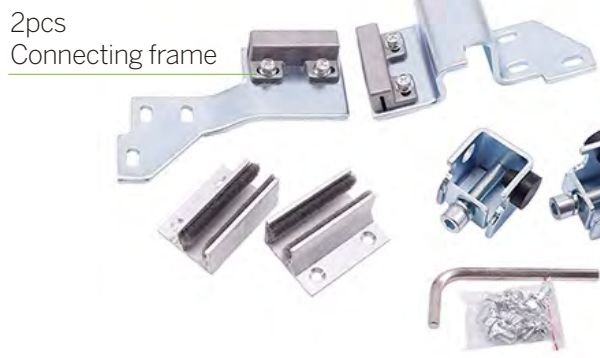
Tail wheel



Switch



2pcs Microwave Sensor



2pcs Connecting frame



Remote controller



2pcs Stopper



Leather belt



S4A Industrial Co., Limited

Address: The 2nd floor, Jinmin'an Industrial Zone, #529, Bulong Rd.
Bantian St. Longgang Dist. Shenzhen, PRC.. CN 518131



Tel: +86 755 29450011

www.s4a-access.com / Email: sales@s4a-access.com
Mob/Whatsapp/Wechat/Viber: +86 134 1050 0721